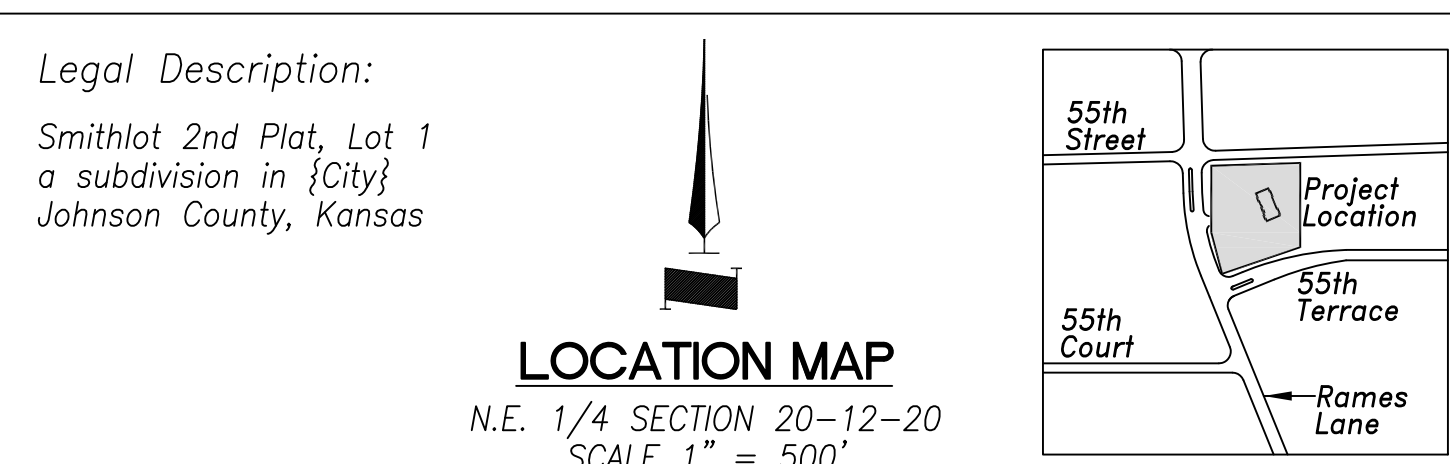
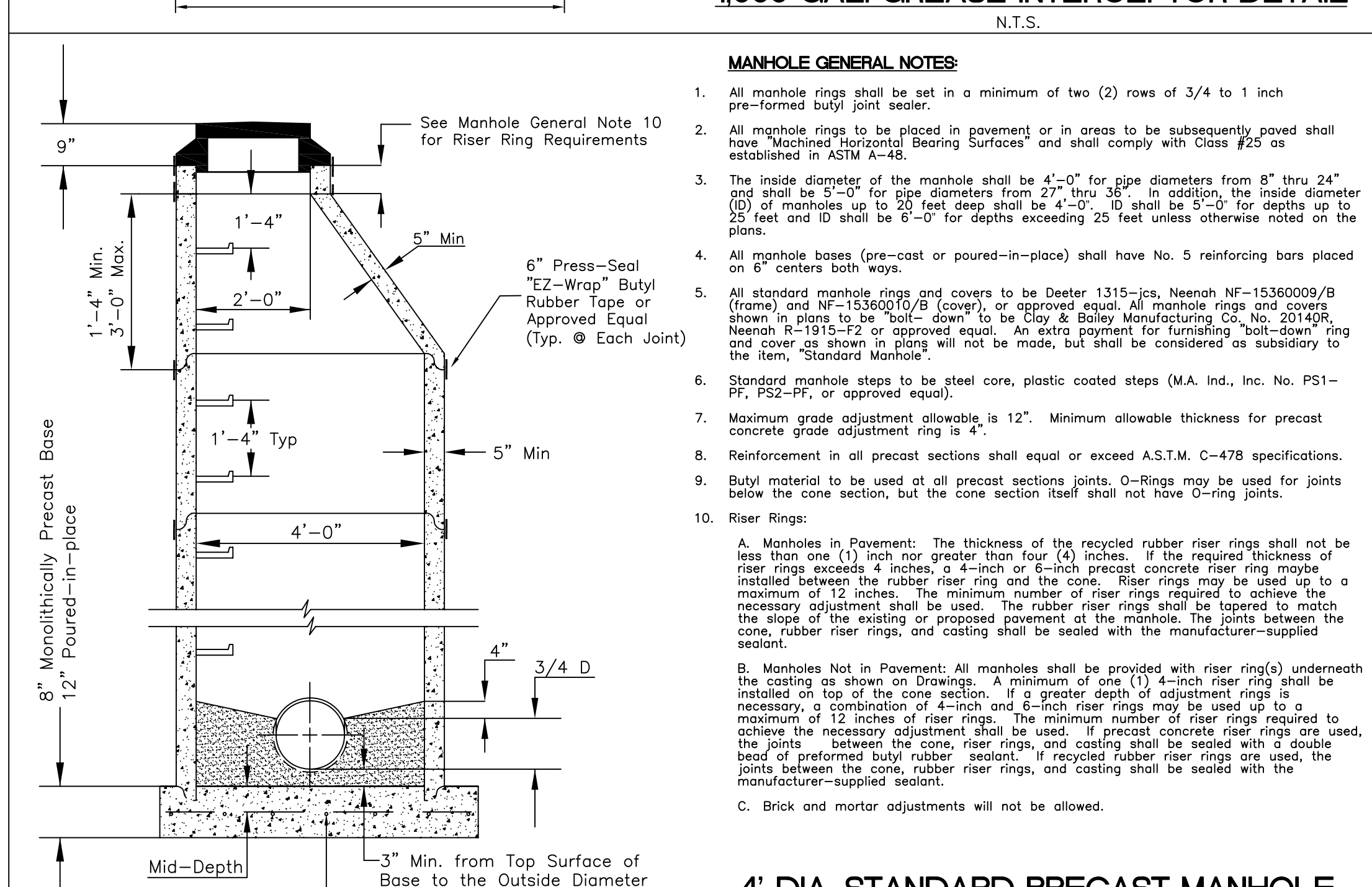
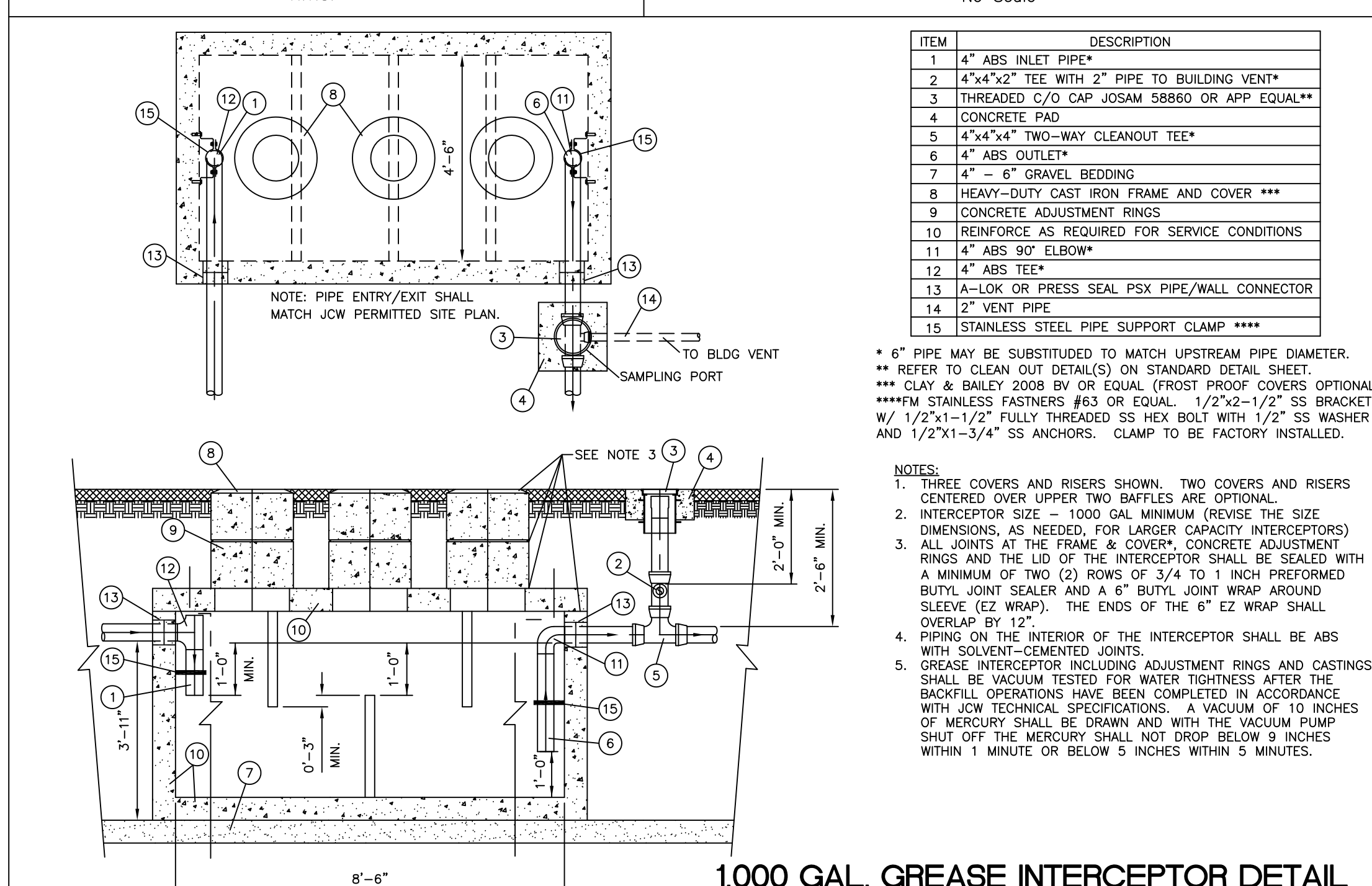
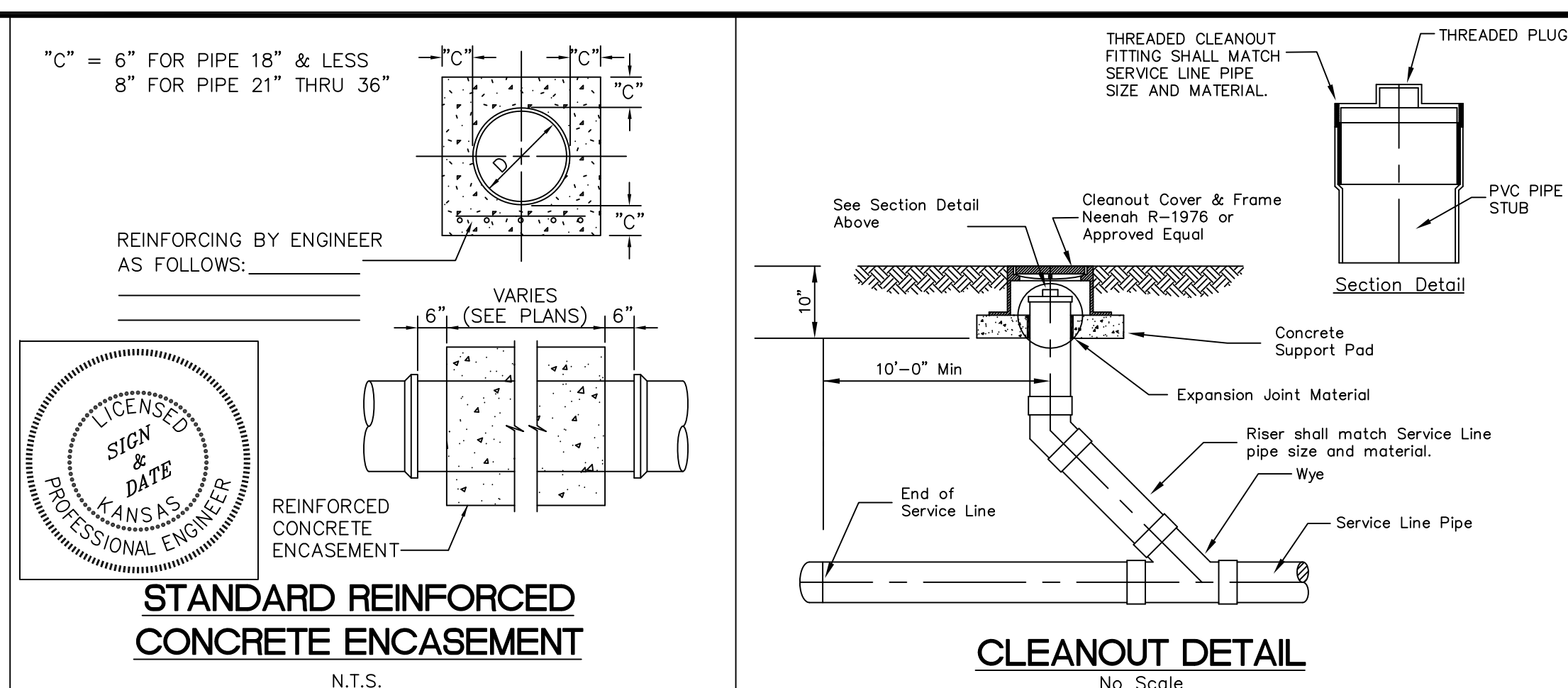
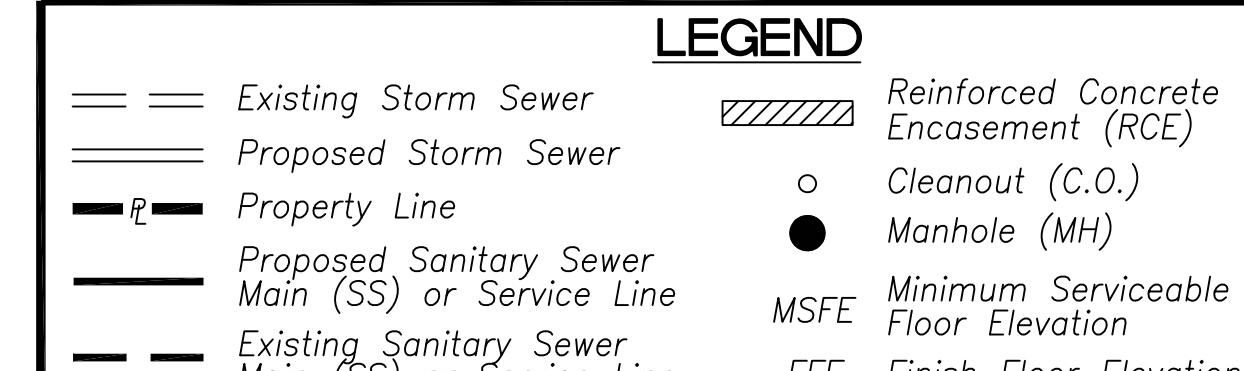
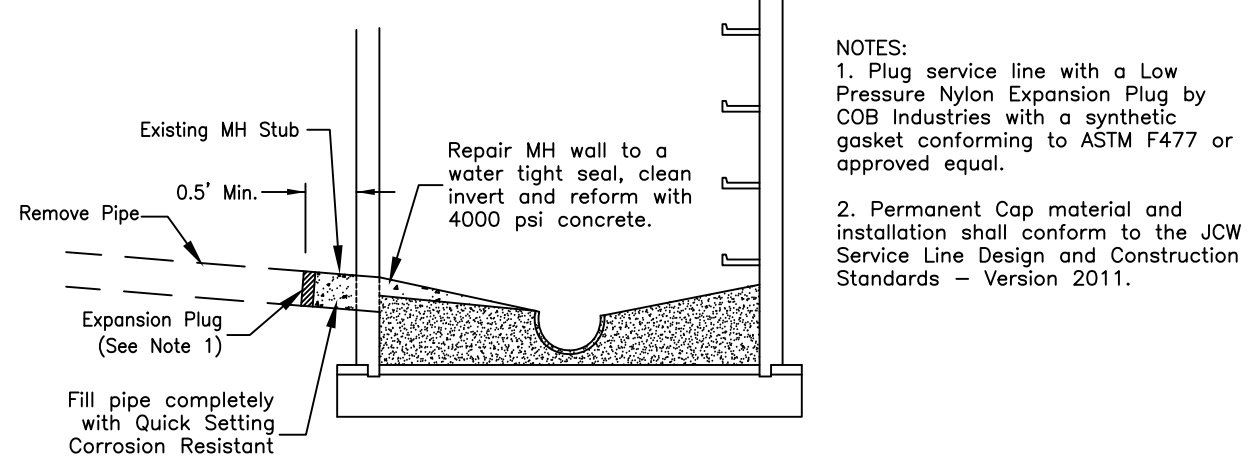


SCALE: 1"=10'

- NOTES:
- FOUNDATION DRAINS AND ROOF DRAINS CONNECT TO STORM JUNCTION BOX 201.
 - IN THE EVENT OF WORK IN OR ON THE JCW SANITARY MAIN, ANY TREES OR PLANTINGS PLACED WITHIN THE SEWER EASEMENT MAY BE REMOVED WITHOUT REPLACEMENT THERE-OF.
 - SANITARY SERVICE LINES SHALL BE INSTALLED IN ACCORDANCE WITH THE JCW SERVICE LINE DESIGN AND CONSTRUCTION STANDARDS - VERSION 2011.
 - 90° BENDS ARE ACCOMPLISHED WITH TWO 45° BENDS, A MINIMUM OF ONE FOOT IN BETWEEN BENDS.
 - FROM INSIDE THE MANHOLE, PLUG A MINIMUM OF 0.5 LINEAR FOOT OF SERVICE LINE USING A LOW PRESSURE NYLON EXPANSION PLUG BY COB INDUSTRIES WITH A SYNTHETIC GASKET CONFORMING TO ASTM F477 OR APPROVED EQUAL. JCW SHALL WITNESS THE PLUG PLACEMENT PRIOR TO PLACING CEMENTITIOUS MATERIAL IN THE PIPE. THE PIPE SHALL BE FILLED COMPLETELY WITH QUICK SETTING CORROSION RESISTANT CEMENTITIOUS MATERIAL MIXED AND APPLIED ACCORDING TO THE MANUFACTURER'S RECOMMENDATIONS AND SHALL HAVE THE FOLLOWING MINIMUM REQUIREMENTS: COMPRESSIVE STRENGTH: ASTM C579B, 1400 PSI, 6HRS; BOND: ASTM C321, 1000 PSI, 24 HRS; APPLIED DENSITY: 120 LBS+/- 5 LBS PCF; SHRINKAGE: ASTM C157, 0% AT 90% R.H. AFTER THE PIPE IS FILLED, FILL THE WALL OPENING AND REFORM THE INVERT USING 4000 PSI CONCRETE. IF THE SERVICE CONNECTION IS ACTIVELY LEAKING AT THE MANHOLE CONNECTION, THE LEAK AND PIPE SHALL BE GROUTED. THE AREA WHERE THE GROUT WILL BE APPLIED SHALL BE POWER WASHED, PREPPED AND CLEANED PRIOR TO APPLICATION. SETTING CEMENTITIOUS PRODUCT, SPECIFICALLY FORMULATED FOR LEAK CONTROL, WHICH SHALL BE MIXED AND APPLIED ACCORDING TO MANUFACTURER'S RECOMMENDATIONS AND SHALL HAVE THE FOLLOWING MINIMUM REQUIREMENTS: COMPRESSIVE STRENGTH: ASTM C579B, 600 PSI, 1 HR., 1,000 PSI, 24 HRS. BOND: ASTM C321, 30 PSI, 1HR., 80 PSI, 24 HRS. JCW SHALL INSPECT THE EXCAVATION OR WITNESS THE PLACEMENT OF THE CEMENTITIOUS PRODUCT PRIOR TO CONCRETE INSTALLATION. THE WALL OPENING SHALL BE REPAIRED AND THE INVERT SHALL BE REFORMED USING 4000 PSI CONCRETE. SEE MH CAP-OFF DETAIL SHEET.



- NOTES TO DESIGNER:
- PLEASE USE STANDARD MANUFACTURED FITTINGS (45', 22 1/2' ETC.).
 - MOST PLUMBERS INSTALL SERVICE LINES AT MINIMUM SLOPE (6" @ 1.00%; 4" @ 2.00%) FROM BUILDING THEN 45° DOWN AT 1 TO 1 SLOPE TO STUB INSTEAD OF A CONSTANT SLOPE FROM THE BUILDING TO THE END OF THE STUB.



EXAMPLE SITE PLAN

DESIGNED BY: _____ DATE: _____ SHEET: 1 OF 1

DRAWN BY: _____ SCALE: _____

CHECKED BY: _____ DISK FILE: _____

JCW REVISIONS: A-5/22/08 | B-6/12/08 | C-8/17/10 | D-8/4/11