

**EXCAVATION**

1. Surrounding soil must be undisturbed soil or well compacted engineering fill.
2. Measure the width and length of the tank and excavate a hole that is a minimum of 18" greater than the tank on all sides.
3. Depth of excavation shall be 12" deeper than tank bottom.
4. After the excavation is complete create a well compacted support layer of aggregate mixture so that ground supporting tank is a minimum of 12" above native soil. Aggregate mixture must be 3/4" size clean rock or sand, with no 103-3/4" fines. For compaction, use a flat plate compactor to tamper rock or sand evenly for 15 minutes.

**UNIT INSTALLATION**

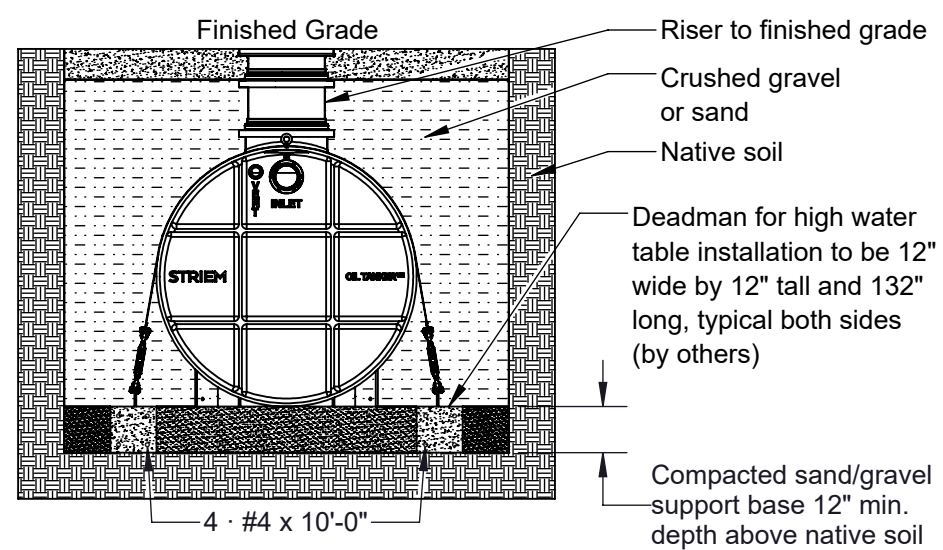
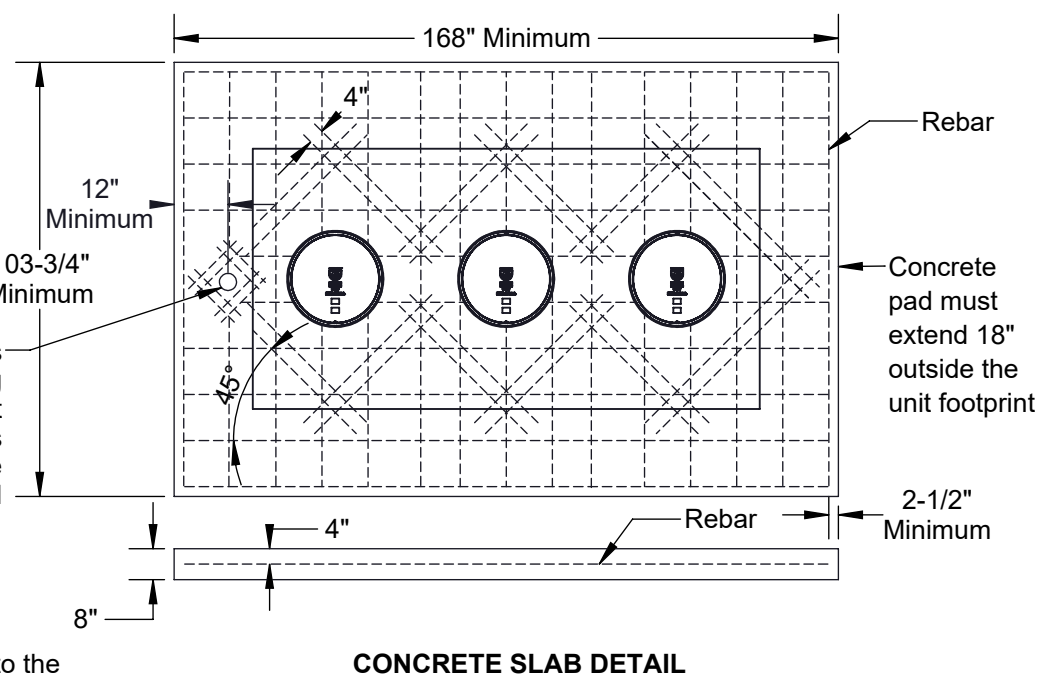
1. Lower and center the unit into hole using Striem lifting lug kit (included). Do not use chains or accessways to move the unit.
2. Ensure tops of risers are level with finished grade.
3. Fill unit with water before backfilling to stabilize unit, check for leaks, and prevent float out during backfilling.

**BACKFILLING & FINISHED CONCRETE SLAB**

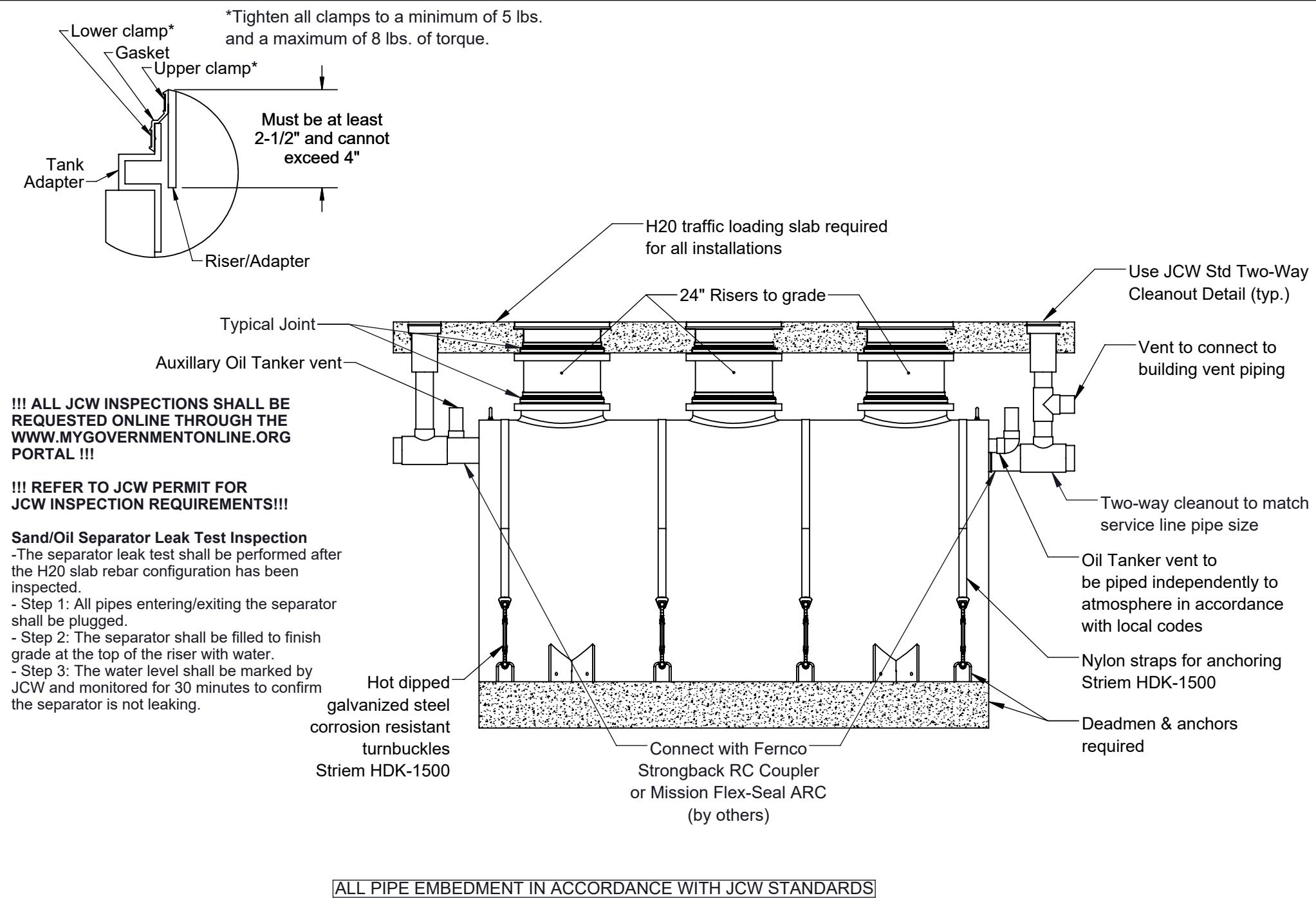
1. Before backfilling and pouring of slab secure covers and risers (if necessary) to the unit.
2. Backfill evenly all around tank using crushed aggregate material approximately 3/4" size rock, or sand, with no fines.
3. When backfilling ensure backfill is worked under the unit using a probe to ensure the unit is fully supported.
4. Place 6" aggregate base under slab. Aggregate should be 3/4" size rock, or sand, with no fines.
5. H2O rated slab required.
6. Concrete to be 28 day compressive strength to 4000 PSI with 6±1% air entrainment.
7. NO. 4 rebar (ϕ 1/2") grade 60 steel per ASTM A615: connected with tie wire.
8. Rebar to be 2 1/2" from edge of concrete.
9. Rebar spacing 12" grid. 4" spacing around access openings.

**DEADMAN ANCHORING**

1. Deadmen should be constructed as noted on Excavation and Backfill detail.
2. Deadmen should be 12" wide x 12" tall and equal to the length of the entire unit.
3. Each deadman should have 4 anchor points that each connect to a 3,500 lbs. rated turnbuckle.
4. Lay the deadmen parallel with the unit and ensure that it is outside the shadow of the tank.
5. Nylon straps rated to 3,333 lbs. each should be connected to a turnbuckle on each side. Turnbuckles should be secured to the deadmen anchor points on each side of the tank such that the tank is held down.



**EXCAVATION AND BACKFILL DATA**



ALL PIPE EMBEDMENT IN ACCORDANCE WITH JCW STANDARDS

**PROPRIETARY AND CONFIDENTIAL**

THE INFORMATION CONTAINED IN THIS DRAWING IS THE SOLE PROPERTY OF STRIEM, LLC. ANY REPRODUCTION IN PART OR AS A WHOLE WITHOUT THE WRITTEN PERMISSION OF STRIEM, LLC. IS PROHIBITED. JCW IS ALLOWED PUBLICATION & DISTRIBUTION

**SPECIFICATIONS**

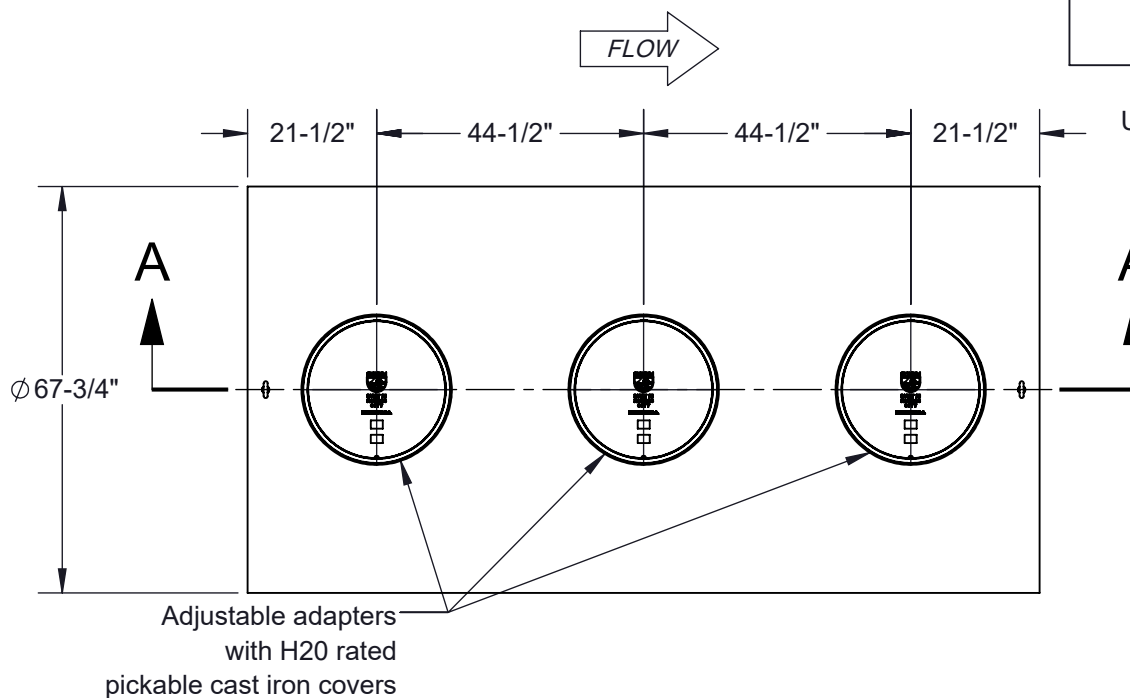
1. Max flow rate: 314 GPM.
2. Liquid capacity: 1500 Gallons (200.5 cu. ft.).
3. Oil capacity: 488 Gallons.
4. Solids/sediment capacity: 825 Gallons
5. Unit weight w/std. covers: 1676 lbs.
6. H2O rated pickable cast iron covers.
7. Maximum operating temperature 140°F continuous.

**NOTES**

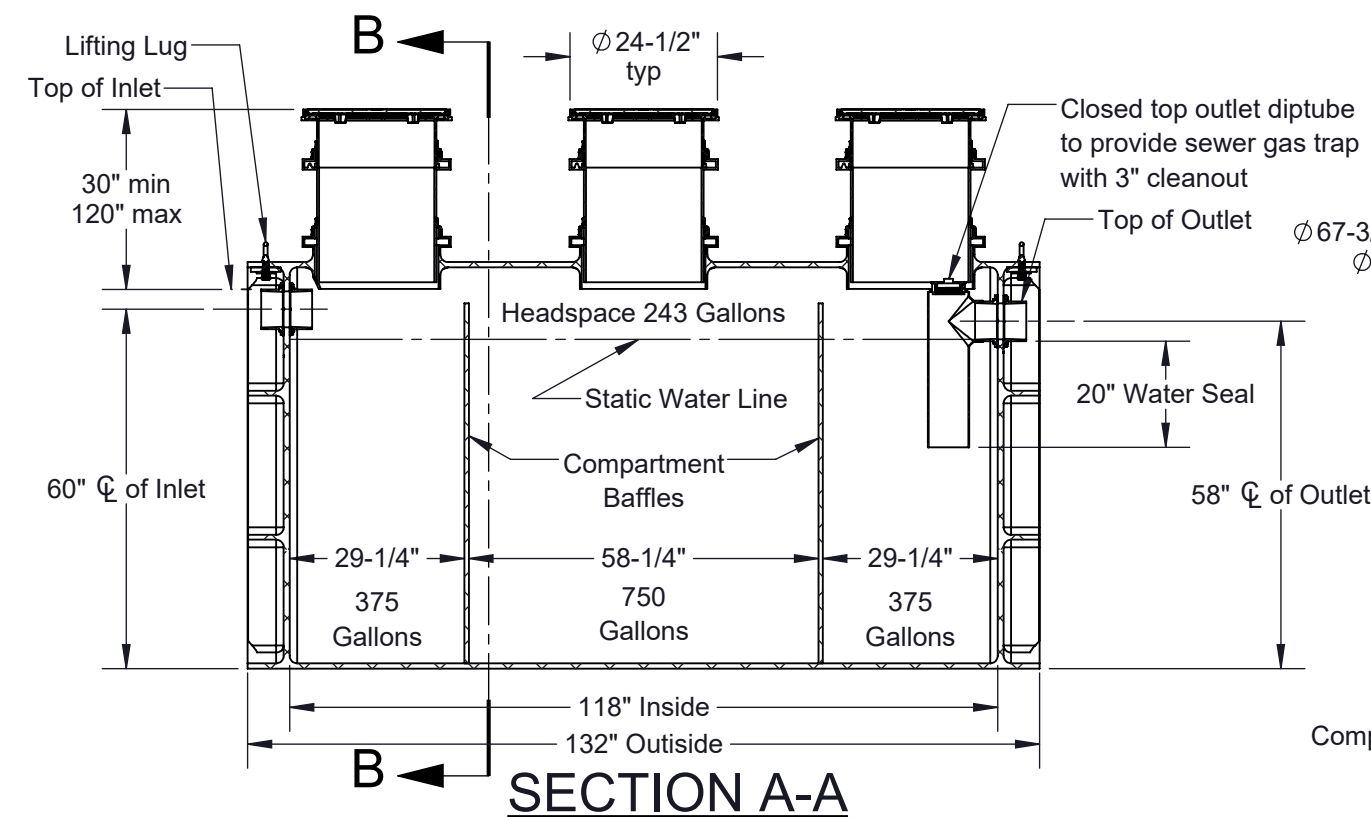
1. 7/8" thick high density polyethylene walls.
2. Unit supplied with built-in adapter(s) for up to 5" of adjustability. Additional riser(s) available for deeper burial depth.
3. For buried applications.
4. Lifting lug set included for easy install.

**ENGINEER SPECIFICATION GUIDE**

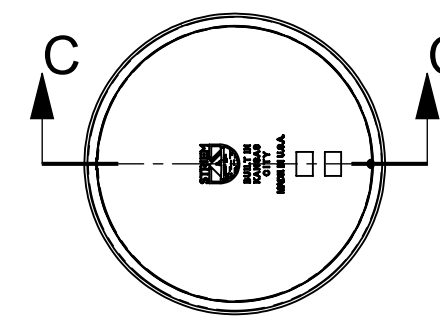
Striem oil separator model OT-1500-JCW shall be lifetime guaranteed and made in USA of High Density Polyethylene with minimum 7/8" uniform wall thickness. Separator shall be furnished for below grade installation with field adjustable riser system. Separator flow rate shall be 314 GPM. Separator oil capacity shall be 488 gallons. Sand capacity shall be 825 gallons. Separator shall be certified to IAPMO IGC 183-2016. Pickable cast iron cover shall provide water/gas-tight seal and be H2O traffic rated.



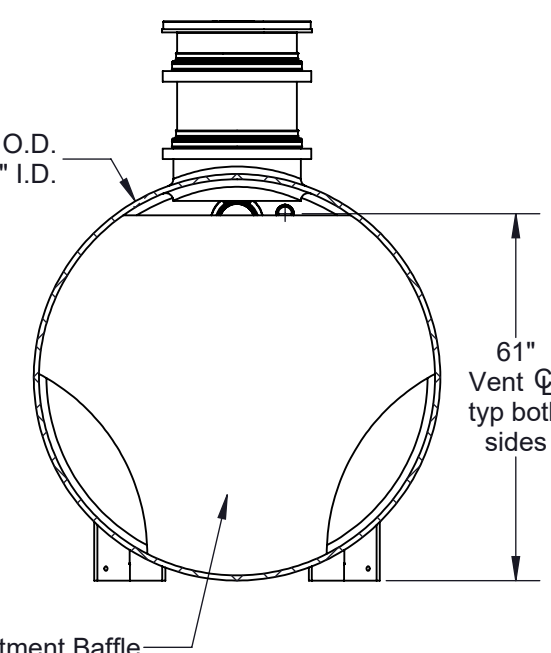
**TOP VIEW**



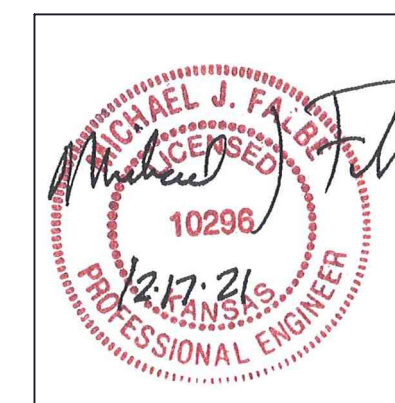
**SECTION A-A**



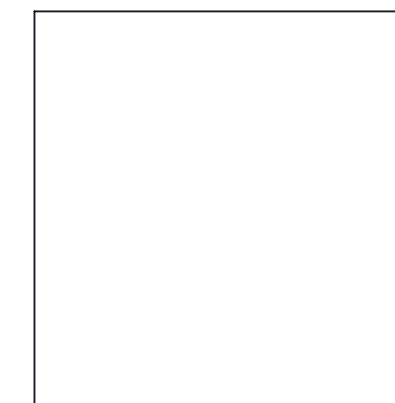
**SECTION C-C**



**SECTION B-B**



PE STAMP  
(For H2O Slab Design Only)



Hold Down Kit Required  
Unless Sealed by Kansas  
Professional Engineer

**Additional Options**

- HDK-1500 - High Water Hold Down Kit
- SS - Stick Stick™ Oil Level Monitoring System\*

\*Monitoring system will raise covers by 3".

**MODEL NUMBER:** OT-1500-JCW

**DESCRIPTION:**  
POLYETHYLENE OIL SEPARATOR  
314 GPM  
1500 GALLON CAPACITY  
JOHNSON COUNTY WASTEWATER DETAIL

**DWG BY:**WLF **DATE:** 12/17/21 **REV:** 0

**SPECIFICATION SHEET**

**Striem**  
3100 Brinkerhoff  
Kansas City, KS 66115  
Tel: 913-222-1500  
orders@striemco.com  
www.striemco.com

Made in the U.S.A

