



Division of Shelter Superstore Corp.

May 14, 2007

Mr. Bob Baumgartner
Roberts Products, Inc.
17501 West 98th Street
Lenexa, KS 66219

RE: Installation Detail "Single Wall" / OP, KS

Dear Bob,

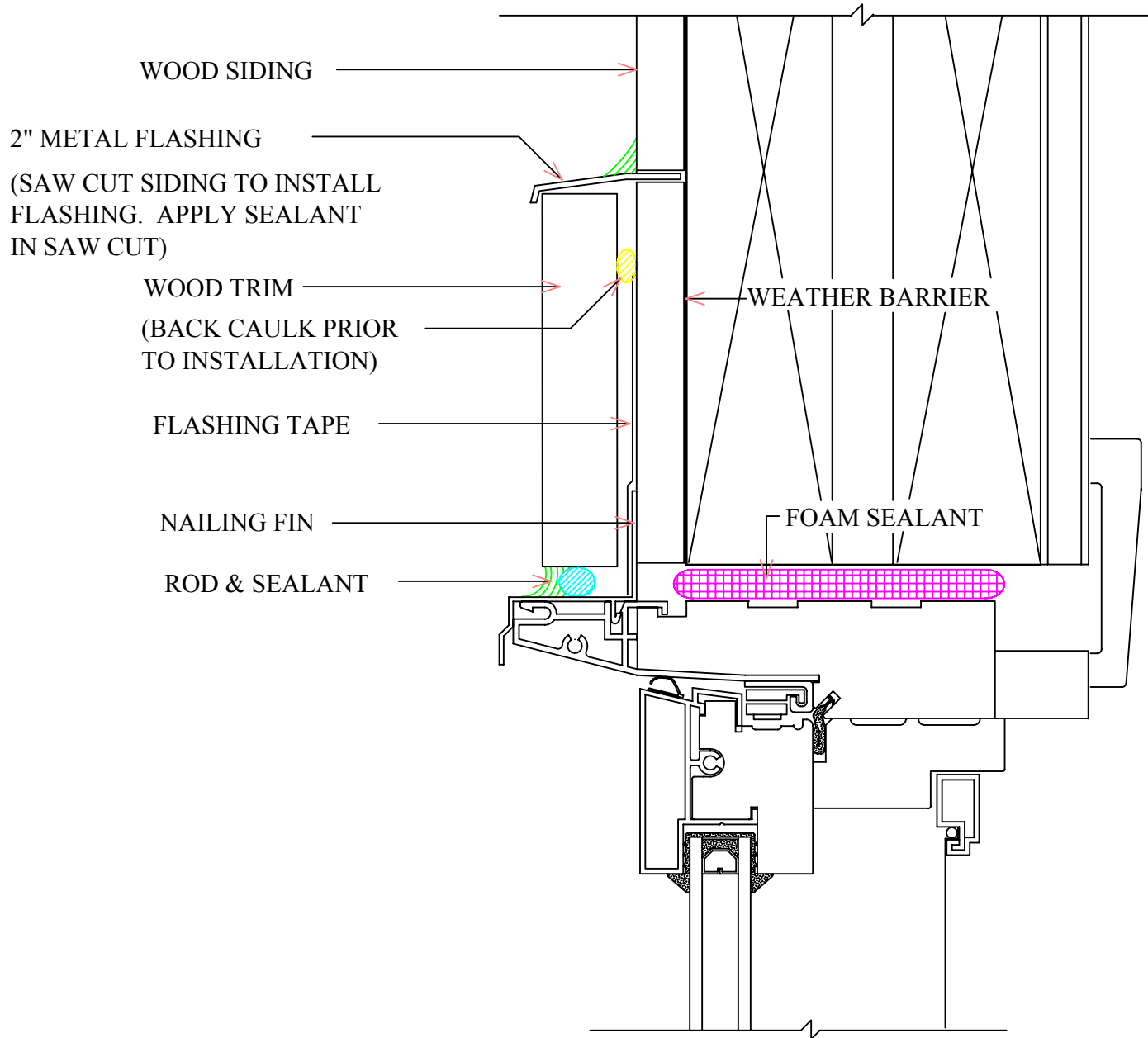
We have reviewed your request, and are pleased to submit the following Installation Details for Shelter Windows and Doors incorporated into "Single Wall" residential construction. These installation guidelines, when properly followed, will ensure an installation that addresses concerns about water infiltration. Please review the drawings, and call our Product Manager, Tim Gehling, at (800) 747-2419 if you have questions.

Thank you for your business.

Sincerely,

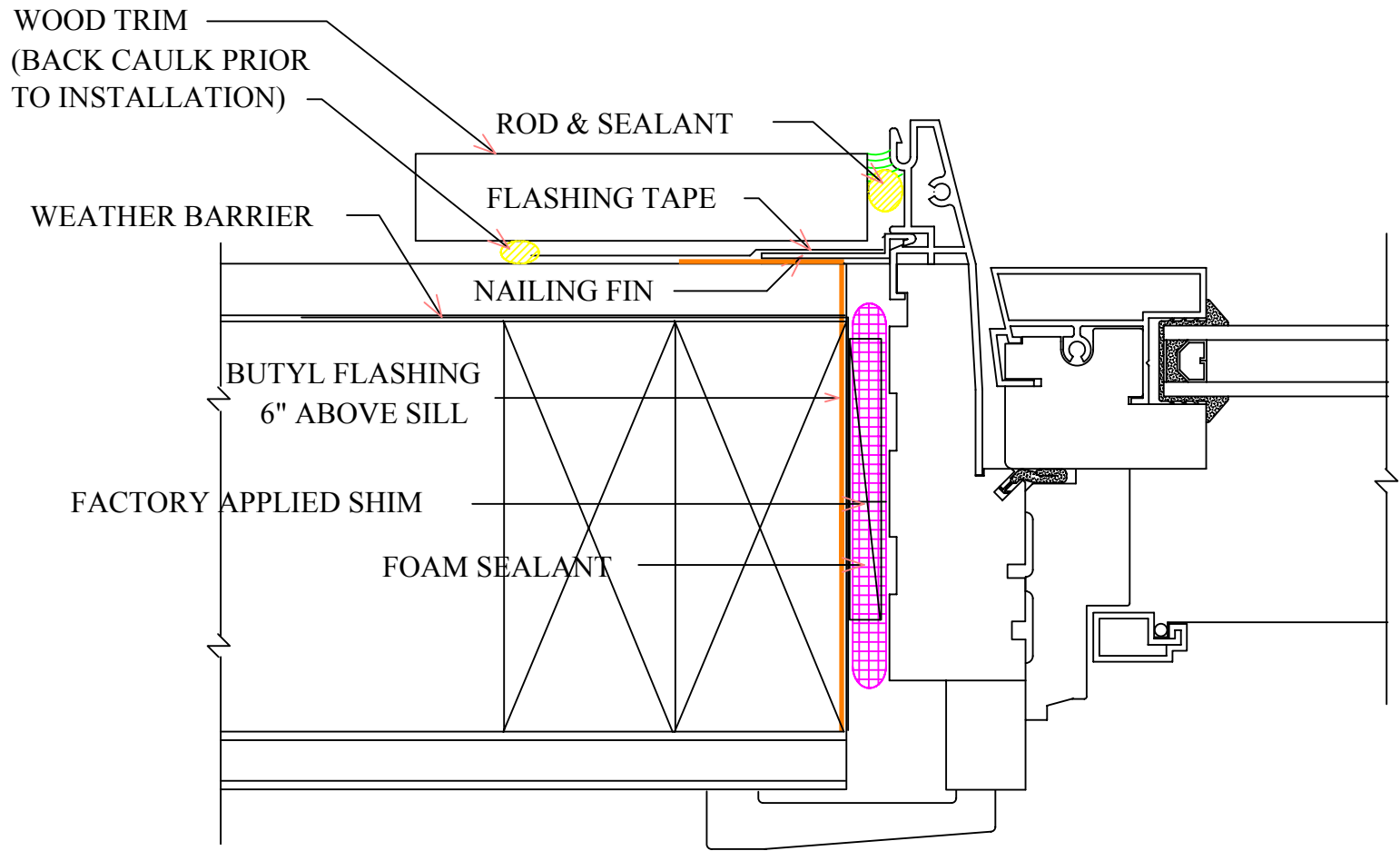
A handwritten signature in black ink that reads "Mark McCrea".

Mark McCrea
VP, Sales



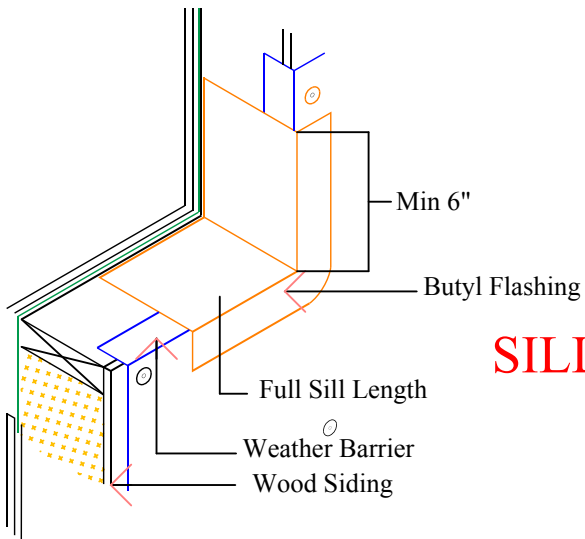
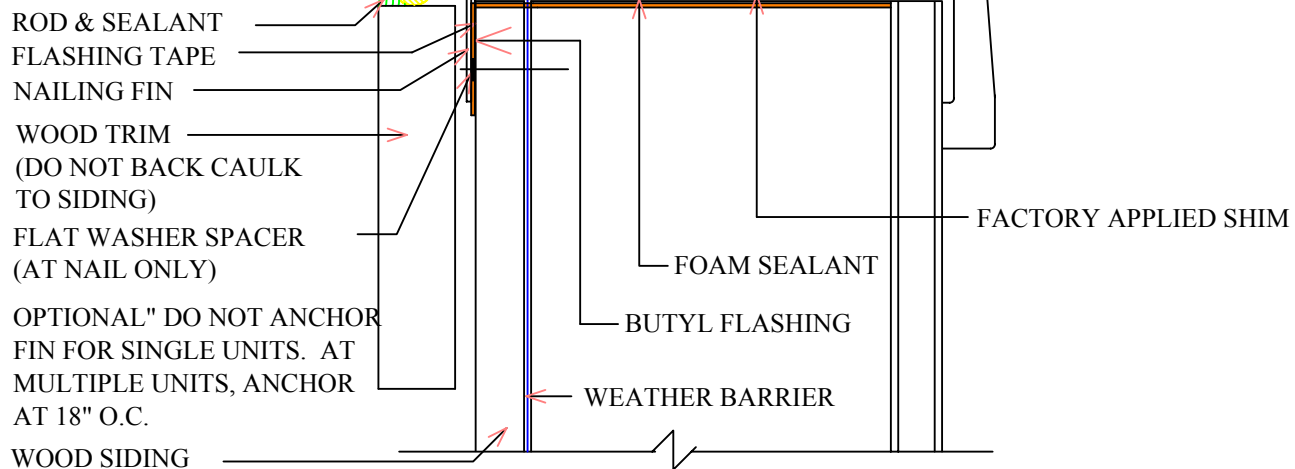
HEAD SECTION

Shelter Windows		
Customer		Po #
Kansas City		
Date	Drawing #	Rev #
	Csmt Head Section	



JAMB SECTION

Shelter Windows		
Customer		Po #
Kansas City		
Date	Drawing #	Rev #
	Csmt Jamb Section	



SILL SECTION

Shelter Windows		
Customer		Po #
Kansas City		
Date	Drawing #	Rev #
	Csmt Sill Section	